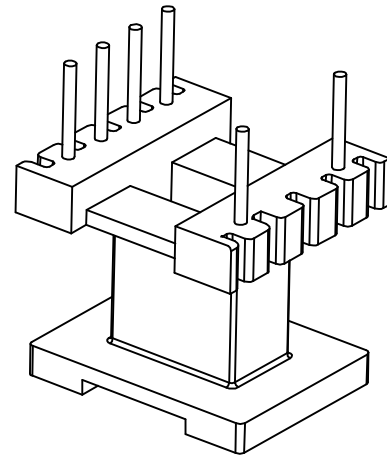
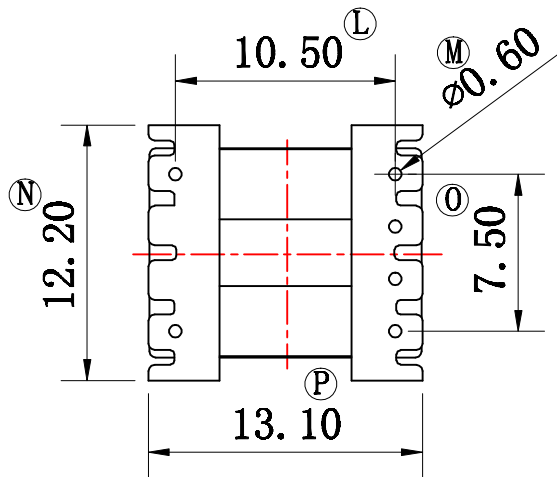
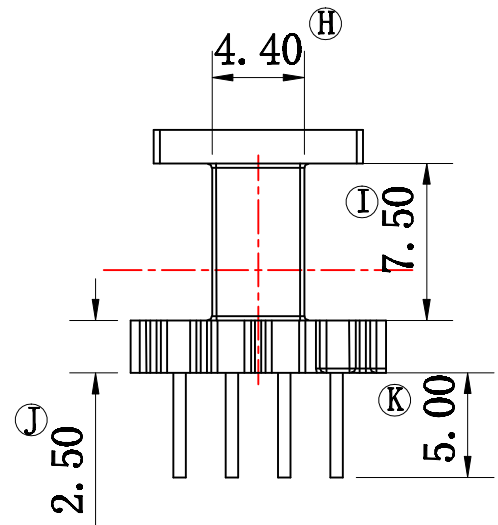
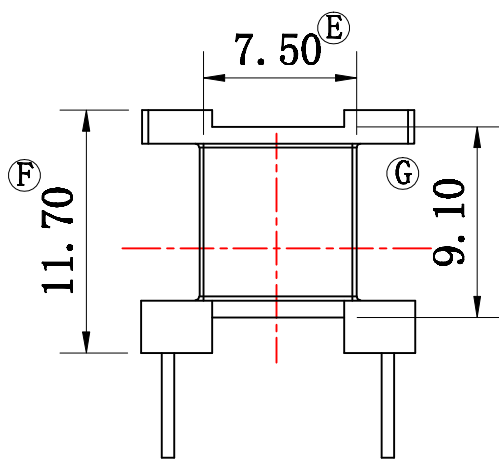
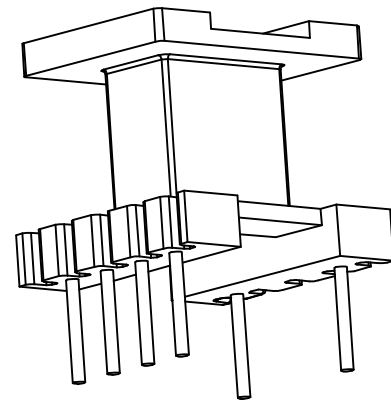
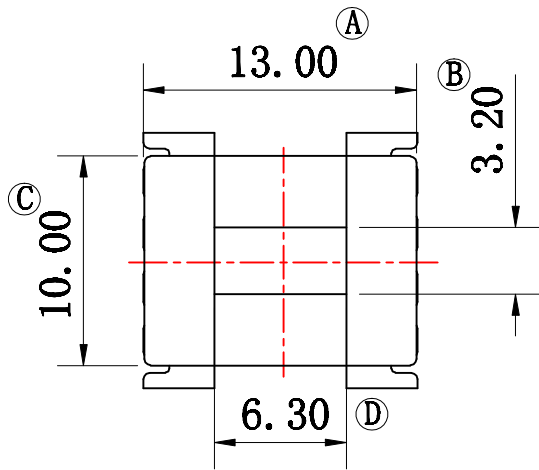


## FWB1378-J



| REV | REVISION RECORD | DATE | REV | REVISION RECORD | DATE |
|-----|-----------------|------|-----|-----------------|------|
| A   |                 |      | C   |                 |      |
| B   |                 |      | D   |                 |      |

| NAME  | EE13 4+2P | MATERIAL      | PHENOLIC  | SCALE |     | ANGLE | $\pm 1^\circ$ |
|---|-----------|---------------|---|-------|-----|-------|---------------|
| DRAWING NO.                                       | FWB1378-J | PIN MATERIAL  | CP WIRE   | UNIT  | m/m | REV   | A             |
| TOLERANCE OF PIN PITCH $\pm 0.20$                 |           |               | <b>HAINING FERRIWO ELECTRONICS CO.,LTD.</b><br>TEL: +86-573-87088701 FAX: +86-573-87081130<br>Web: www.ferriwo.com Email: sales@ferriwo.com |       |     |       |               |
| PIN TENSION LOAD kg MN                            |           | UL REC: 94V-0 |   |       |     |       |               |
| TOLERANCE: 0<L≤4: ±0.2 4<L≤16: ±0.3 16<L≤63: ±0.4 |           |               |   |       |     |       |               |